



iCLASS® Key Ordering Guide

The iCLASS contactless smart Key offers read/write capability. Attach to a key ring or badge clip for convenient use.

Please ensure each required option has been checked with the appropriate choice to fulfill a completed order form.

205 Base Model Part Number Worksheet

iCLASS Memory Size and Allocation (Check One)

- 0 - 2k Bits (256 Bytes) with 2 Application Areas
- 1 - 16k Bits (2k Bytes) with 2 Application Areas
- 2 - 16k Bits (2k Bytes) with 16 Application Areas
- 3 - 32k Bits (4K Bytes) Application areas 16k/2+16k/1
- 4 - 32k Bits (4K Bytes) Application areas 16k/16+16k/1

Programming (Check One)

- N - Non-Configured, Non-Programmed iCLASS. Programming Information Not Required.
- C - Configured, Non-Programmed iCLASS. Programming Information Not Required.
- P - Programmed iCLASS. Specify Programming Information.

Front Packaging

- K - Black with HID Standard Artwork

Back Packaging

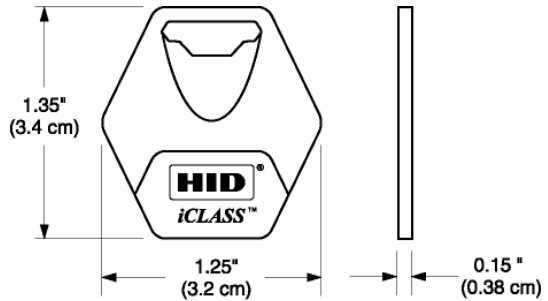
- N - None

Key Numbering¹

- M - Sequential Matching Internal/External (Inkjetted)
- N - No External Key Numbering
- S - Sequential Internal/Sequential Non-Matching External (Inkjetted)
- R - Random Internal/Non-Matching Sequential External (Inkjetted)

Slot Punch²

- N - None



Please enter your final Key options from check boxes above. Example: 2052CKNNN

Final Part Number	205			K	N	N	-	(Optional Artwork #)
-------------------	-----	--	--	---	---	---	---	----------------------

iCLASS Key Programming Information

Bit Numbers _____ (example: 26 bit) Format Number _____ (example: H10301)

Facility Code _____

(Custom Formats) Site Code _____ City Code _____ OEM Code _____

Internal Card # Start _____ Stop _____ External Card # Start _____ Stop _____

PIN: Sequential: Start # _____ Random: Length _____

Special Instructions: _____

¹ The external key number is placed on the back of the key.

² Key Ring sold separately (Part Number: 57-0001-02) .